

HA17431H Series

Shunt Regulator

HITACHI

ADE-204-070 (Z)

Preliminary

Rev.0

Sep. 2001

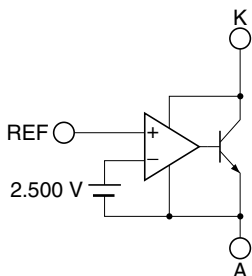
Description

The HA17431H series is a family of voltage referenced shunt regulators. The main application of these products is in voltage regulators that provide a variable output voltage. The HA17431H series products are provided in a wide range of packages; TO-92 insertion mounting packages and MPAK-5 (5 pin), MPAK (3 pin), UPAK surface mounting packages are available. The on-chip high-precision reference voltage source can provide $\pm 1\%$ accuracy, which have a V_{KA} max of 36 volts.

Features

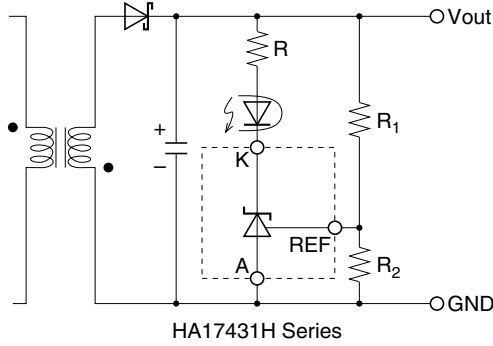
- The reference voltage provide 2.500 V $\pm 1\%$ at $T_a = 25^\circ\text{C}$
- The reference voltage has a low temperature coefficient
- The MPAK-5 (5 pin), MPAK (3 pin) and UPAK miniature packages are optimal for use on high mounting density circuit boards

Block Diagram



Application Circuit Example

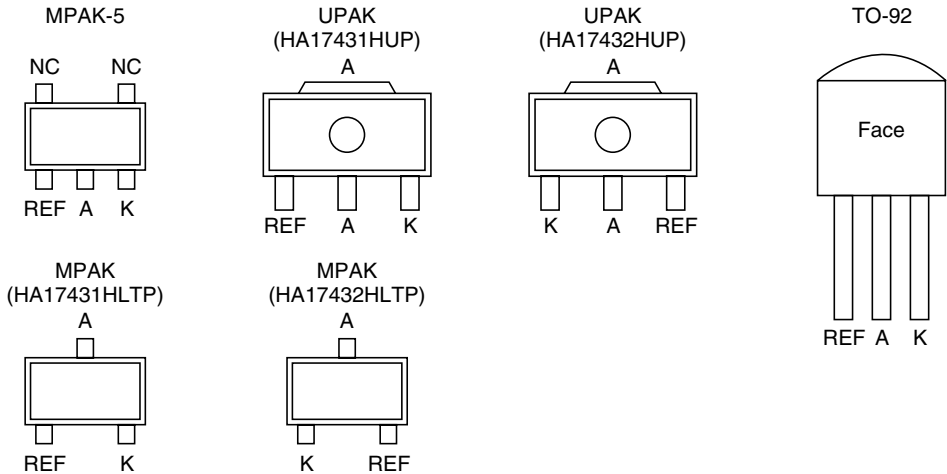
Switching power supply secondary-side error amplification circuit



Ordering Information

Item		Package	Temp. Range
Industrial use	HA17431HLP	MPAK-5	-20 to +85°C
	HA17431HP	TO-92	
	HA17431HUP	UPAK	
	HA17432HUP		
	HA17431HLTP	MPAK	
	HA17432HLTP		

Pin Arrangement



Absolute Maximum Ratings

(Ta = 25°C)

Item	Symbol	Ratings				Unit	Notes
		HA17431HLP	HA17431HP	HA17431HUP/ HA17432HUP	HA17431HLTP/ HA17432HLTP		
Cathode voltage	V _{KA}	36	36	36	36	V	1
Continuous cathode current	I _k	-50 to +50	-50 to +50	-50 to +50	-50 to +50	mA	
Reference input current	I _{ref}	-0.05 to +6	-0.05 to +6	-0.05 to +6	-0.05 to +6	mA	
Power dissipation	P _T	150 * ²	500 * ³	800 * ⁴	150 * ²	MW	
Operating temperature range	T _{opr}	-20 to +85	-20 to +85	-20 to +85	-20 to +85	°C	
Storage temperature	T _{stg}	-55 to +150	-55 to +150	-55 to +150	-55 to +150	°C	

Notes: 1. Voltages are referenced to anode.

2. Ta ≤ 25°C. If Ta > 25°C, derate by 1.2 mW/°C.

3. Ta ≤ 25°C. If Ta > 25°C, derate by 4.0 mW/°C.

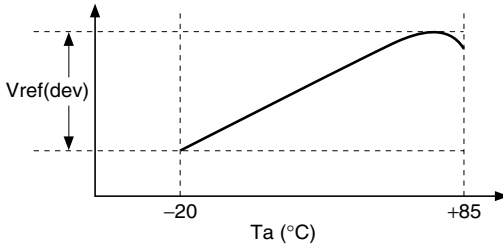
4. 15 mm × 25 mm × t0.7mm alumina ceramic board, Ta ≤ 25°C. If Ta > 25°C, derate by 6.4 mW/°C.

Electrical Characteristics

($T_a = 25^\circ\text{C}$, $I_k = 10\text{ mA}$)

Item	Symbol	Min	Typ	Max	Unit	Test Conditions	Notes
Reference voltage	V_{ref}	2.475	2.500	2.525	V	$V_{\text{KA}} = V_{\text{ref}}$	
Reference voltage temperature deviation	$V_{\text{ref}}(\text{dev})$	—	10	—	mV	$V_{\text{KA}} = V_{\text{ref}}$, $T_a = -20^\circ\text{C}$ to $+85^\circ\text{C}$	1
Reference voltage temperature coefficient	$\Delta V_{\text{ref}}/\Delta T_a$	—	± 30	—	ppm/ $^\circ\text{C}$	$V_{\text{KA}} = V_{\text{ref}}$, 0°C to 50°C gradient	
Reference voltage regulation	$\Delta V_{\text{ref}}/\Delta V_{\text{KA}}$	—	2.0	3.7	mV/V	$V_{\text{KA}} = V_{\text{ref}}$ to 36 V	
Reference input current	I_{ref}	—	0.6	3	μA	$R_1 = 10\text{ k}\Omega$, $R_2 = \infty$	
Reference current temperature deviation	$I_{\text{ref}}(\text{dev})$	—	0.5	—	μA	$R_1 = 10\text{ k}\Omega$, $R_2 = \infty$, $T_a = -20^\circ\text{C}$ to $+85^\circ\text{C}$	
Minimum cathode current	I_{min}	—	0.06	0.2	mA	$V_{\text{KA}} = V_{\text{ref}}$	2
Off state cathode current	I_{off}	—	0.001	1.0	μA	$V_{\text{KA}} = 36\text{ V}$, $V_{\text{ref}} = 0\text{ V}$	
Dynamic impedance	Z_{KA}	—	0.2	0.5	Ω	$V_{\text{KA}} = V_{\text{ref}}$, $I_k = 1\text{ mA}$ to 50 mA	

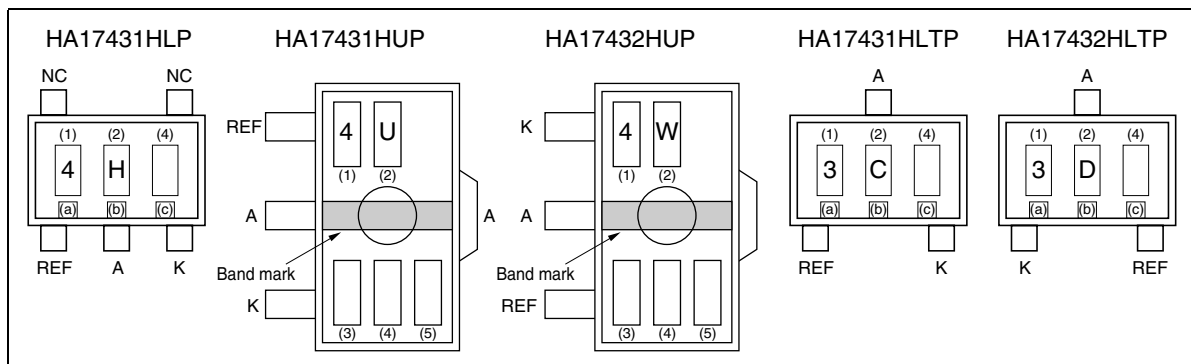
Notes: 1. $V_{\text{ref}}(\text{dev}) = V_{\text{ref}}(\text{max}) - V_{\text{ref}}(\text{min})$



2. I_{min} is given by the cathode current at $V_{\text{ref}} = V_{\text{ref}}(I_k=10\text{mA}) - 15\text{ mV}$.

MPAK-5 (5 pin), MPAK (3 pin) and UPAK Marking Patterns

The marking patterns shown below are used on MPAK-5, MPAK and UPAK products. Note that the product code and mark pattern are different. The pattern is laser-printed.



Notes: 1. Boxes (1) to (5) in the figures show the position of the letters or numerals, and are not actually marked on the package.

2. The letters (1) and (2) show the product specific mark pattern.

Product	(1)	(2)
HA17431HLP	4	H
HA17431HUP	4	U
HA17432HUP	4	W
HA17431HLTP	3	C
HA17432HLTP	3	D

3. The letter (3) shows the production year code (the last digit of the year) for UPAK products.

4. The bars (a), (b) and (c) show a production year code for MPAK-5 and MPAK products as shown below. After 2009 the code is repeated every 8 years.

Year	2001	2002	2003	2004	2005	2006	2007	2008
(a)	None	None	None	None	Bar	Bar	Bar	Bar
(b)	None	None	Bar	Bar	None	None	Bar	Bar
(c)	None	Bar	None	Bar	None	Bar	None	Bar

5. The letter (4) shows the production month code (see table below).

Production month	Jan.	Feb.	Mar.	Apr.	May.	Jun.	Jul.	Aug.	Sep.	Oct.	Nov.	Dec.
Marked code	A	B	C	D	E	F	G	H	J	K	L	M

6. The letter (5) shows manufacturing code. For UPAK products.

Application Examples

As shown in figure 1, this IC operates as an inverting amplifier, with the REF pin as input pin. The open-loop voltage gain is given by the reciprocal of “reference voltage deviation by cathode voltage change” in the electrical specifications, and is approximately 50 to 60 dB. The REF pin has a high input impedance, with an input current I_{ref} of 0.6 μA Typ. The output impedance of the output pin K (cathode) is defined as dynamic impedance Z_{KA} , and Z_{KA} is low (0.2 Ω) over a wide cathode current range. A (anode) is used at the minimum potential, such as ground.

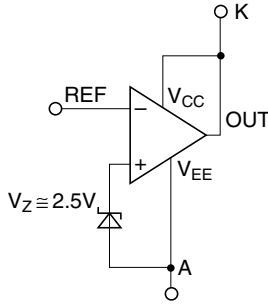
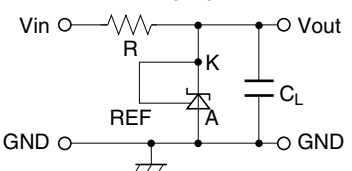
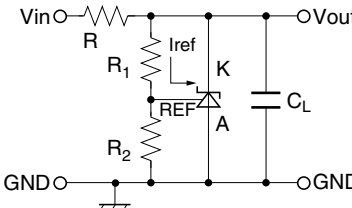


Figure 1 Operation Diagram

Application Hints

No.	Application Example	Description
1	Reference voltage generation circuit 	This is the simplest reference voltage circuit. The value of the resistance R is set so that cathode current $I_K \geq 0.2 \text{ mA}$. Output is fixed at $V_{out} \cong 2.5 \text{ V}$. The external capacitor C_L ($C_L \geq 3.3 \mu\text{F}$) is used to prevent oscillation in normal applications.
2	Variable output shunt regulator circuit 	This is circuit 1 above with variable output provided. Here, $V_{out} \cong 2.5 \text{ V} \times \frac{(R_1 + R_2)}{R_2}$ Since the reference input current $I_{ref} = 0.6 \mu\text{A}$ Typ flows through R_1 , resistance values are chosen to allow the resultant voltage drop to be ignored.

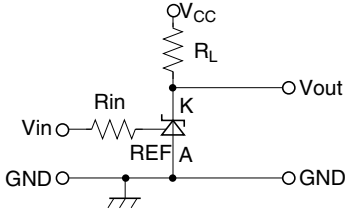
Application Hints (cont.)

No. Application Example

Description

3 Single power supply inverting comparator circuit

This is an inverting type comparator with an input threshold voltage of approximately 2.5 V. Rin is the REF pin protection resistance, with a value of several kΩ to several tens of kΩ.

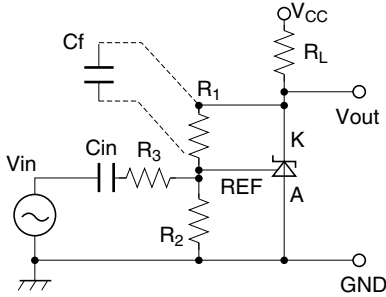


RL is the load resistance, selected so that the cathode current $I_K \geq 0.2$ mA when Vout is low.

Condition	Vin	Vout	IC
C1	Less than 2.5 V	V _{CC} (V _{OH})	OFF
C2	2.5 V or more	Approx. 2 V (V _{OL})	ON

4 AC amplifier circuit

This is an AC amplifier with voltage gain $G = -R_1 / (R_2 // R_3)$. The input is cut by capacitance Cin, so that the REF pin is driven by the AC input signal, centered on 2.5 V_{DC}.



R2 also functions as a resistance that determines the DC cathode potential when there is no input, but if the input level is low and there is no risk of Vout clipping to V_{CC}, this can be omitted.

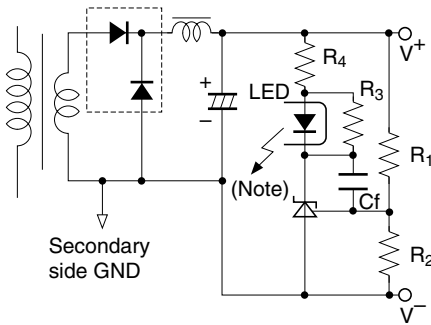
To change the frequency characteristic, Cf should be connected as indicated by the dotted line.

$$\text{Gain } G = \frac{R_1}{R_2 // R_3} \text{ (DC gain)}$$

$$\text{Cutoff frequency } f_c = \frac{1}{2\pi C_f (R_1 // R_2 // R_3)}$$

5 Switching power supply error amplification circuit

This circuit performs control on the secondary side of a transformer, and is often used with a switching power supply that employs a photocoupler for offlining.



The output voltage (between V+ and V-) is given by the following formula:

$$V_{out} \cong 2.5 \text{ V} \times \frac{(R_1 + R_2)}{R_2}$$

In this circuit, the gain with respect to the Vout error is as follows:

$$G = \frac{R_2}{(R_1 + R_2)} \times \left[\text{HA17431H open loop gain} \right] \times \left[\text{photocoupler total gain} \right]$$

- Note: LED : Light emitting diode in photocoupler
 R3 : Bypass resistor to feed IK (> Imin) when LED current vanishes
 R4 : LED protection resistance

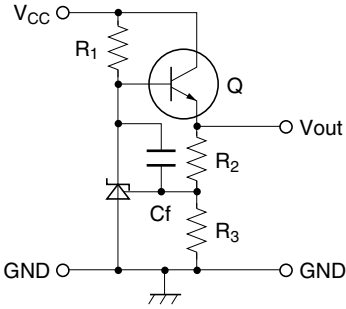
As stated earlier, the HA17431H open-loop gain is 50 to 60 dB.

Application Hints (cont.)

No. Application Example

Description

6 Constant voltage regulator circuit

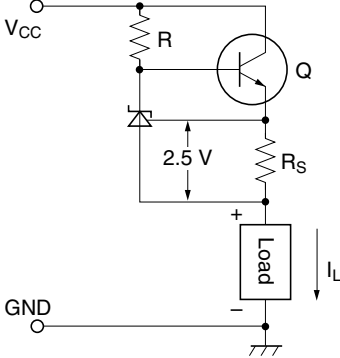


This is a 3-pin regulator with a discrete configuration, in which the output voltage

$$V_{out} = 2.5 \text{ V} \times \frac{(R_2 + R_3)}{R_3}$$

R_1 is a bias resistance for supplying the HA17431H cathode current and the output transistor Q base current.

7 Discharge type constant current circuit



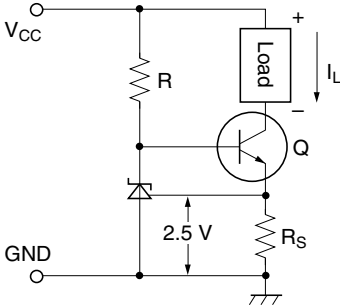
This circuit supplies a constant current of

$$I_L \cong \frac{2.5 \text{ V}}{R_S} \text{ [A]}$$

into the load. Caution is required since the HA17431H cathode current is also superimposed on I_L .

The requirement in this circuit is that the cathode current must be greater than $I_{min} = 0.2 \text{ mA}$. The I_L setting therefore must be on the order of several mA or more.

8 Induction type constant current circuit



In this circuit, the load is connected on the collector side of transistor Q in circuit 7 above. In this case, the load floats from GND, but the HA17431H cathode current is not superimposed on I_L , so that I_L can be kept small (0.2 mA or less is possible). The constant current value is the same as for circuit 7 above:

$$I_L \cong \frac{2.5 \text{ V}}{R_S} \text{ [A]}$$

Design Guide for AC-DC SMPS (Switching Mode Power Supply)

Use of Shunt Regulator in Transformer Secondary Side Control

This example is applicable to both forward transformers and flyback transformers. A shunt regulator is used on the secondary side as an error amplifier, and feedback to the primary side is provided via a photocoupler.

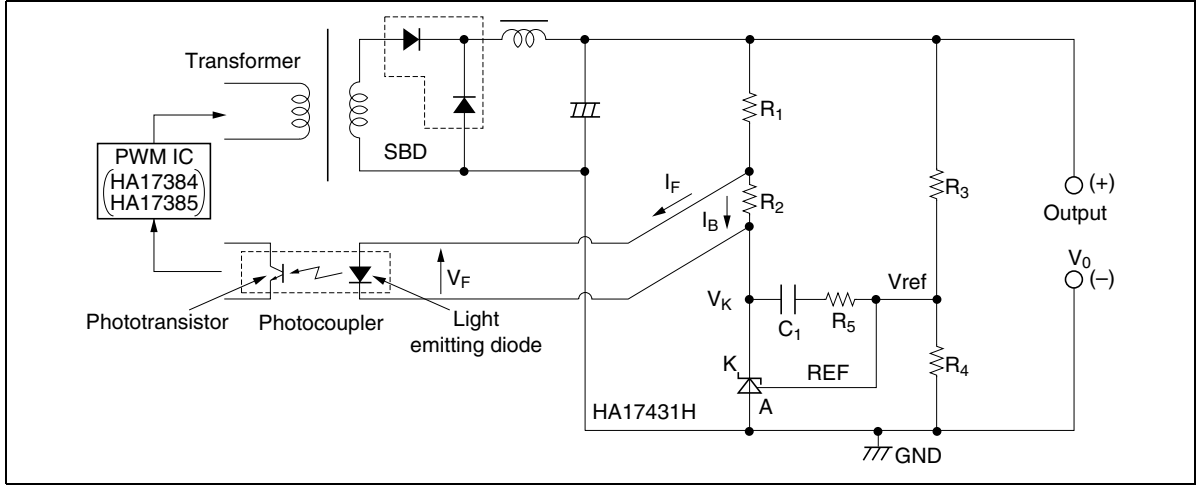


Figure 2 Typical Shunt Regulator/Error Amplifier

Determination of External Constants for the Shunt Regulator

DC characteristic determination: In figure 2, R_1 and R_2 are protection resistor for the light emitting diode in the photocoupler, and R_2 is a bypass resistor to feed I_k minimum, and these are determined as shown below. The photocoupler specification should be obtained separately from the manufacturer. Using the parameters in figure 2, the following formulas are obtained:

$$R_1 = \frac{V_0 - V_F - V_K}{I_F + I_B}, R_2 = \frac{V_F}{I_B}$$

V_k is the HA17431H operating voltage, and is set at around 3 V, taking into account a margin for fluctuation. R_2 is the current shunt resistance for the light emitting diode, in which a bias current I_b of around $1/5 I_F$ flows.

Next, the output voltage can be determined by R_3 and R_4 , and the following formula is obtained:

$$V_0 = \frac{R_3 + R_4}{R_4} \times V_{ref}, V_{ref} = 2.5 \text{ V Typ}$$

The absolute values of R_3 and R_4 are determined by the HA17431H reference input current I_{ref} and the AC characteristics described in the next section. The I_{ref} value is around $0.6 \mu\text{A Typ}$.

AC characteristic determination: This refers to the determination of the gain frequency characteristic of the shunt regulator as an error amplifier. Taking the configuration in figure 2, the error amplifier characteristic is as shown in figure 3.

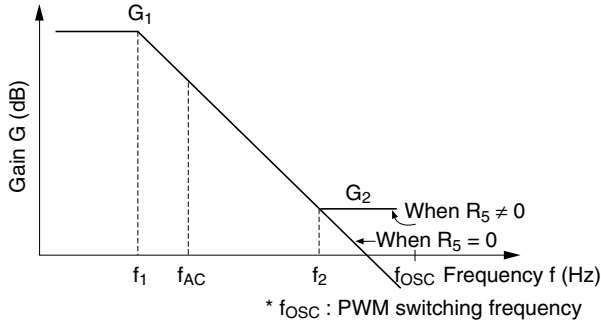


Figure 3 HA17431H Error Amplification Characteristic

In Figure 3, the following formulas are obtained:

Gain

$$G_1 = G_0 \approx 50 \text{ dB to } 60 \text{ dB (determined by shunt regulator)}$$

$$G_2 = \frac{R_5}{R_3}$$

Corner frequencies

$$f_1 = 1/(2\pi C_1 G_0 R_3)$$

$$f_2 = 1/(2\pi C_1 R_5)$$

G₀ is the shunt regulator open-loop gain; this is given by the reciprocal of the reference voltage fluctuation $\Delta V_{ref}/\Delta V_{KA}$, and is approximately 50 dB.

Practical Example

Consider the example of a photocoupler, with an internal light emitting diode $V_F = 1.05 \text{ V}$ and $I_F = 2.5 \text{ mA}$, power supply output voltage $V_2 = 5 \text{ V}$, and bias resistance R_2 current of approximately $1/5 I_F$ at 0.5 mA . If the shunt regulator $V_K = 3 \text{ V}$, the following values are found.

$$R_1 = \frac{5\text{V} - 1.05\text{V} - 3\text{V}}{2.5\text{mA} + 0.5\text{mA}} = 316(\Omega) \text{ (330}\Omega \text{ from E24 series)}$$

$$R_2 = \frac{1.05\text{V}}{0.5\text{mA}} = 2.1(\text{k}\Omega) \text{ (2.2k}\Omega \text{ from E24 series)}$$

Next, assume that $R_3 = R_4 = 10 \text{ k}\Omega$. This gives a 5 V output. If $R_5 = 3.3 \text{ k}\Omega$ and $C_1 = 0.022 \text{ }\mu\text{F}$, the following values are found.

$$G_2 = 3.3 \text{ k}\Omega / 10 \text{ k}\Omega = 0.33 \text{ times } (-10 \text{ dB})$$

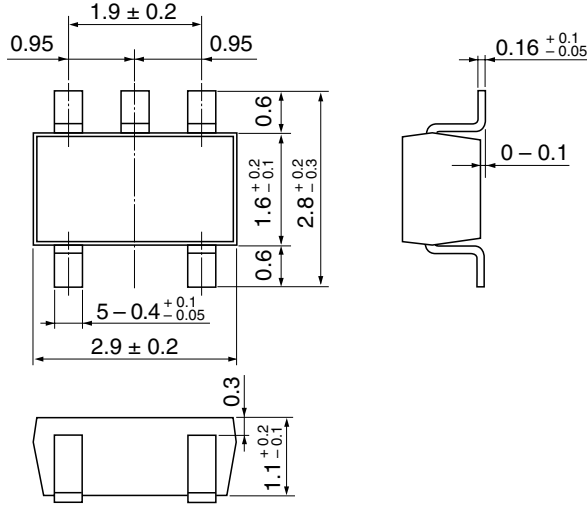
$$f_1 = 1 / (2 \times \pi \times 0.022 \text{ }\mu\text{F} \times 316 \times 10 \text{ k}\Omega) = 2.3 \text{ (Hz)}$$

$$f_2 = 1 / (2 \times \pi \times 0.022 \text{ }\mu\text{F} \times 3.3 \text{ k}\Omega) = 2.2 \text{ (kHz)}$$

Package Dimensions

As of January, 2001

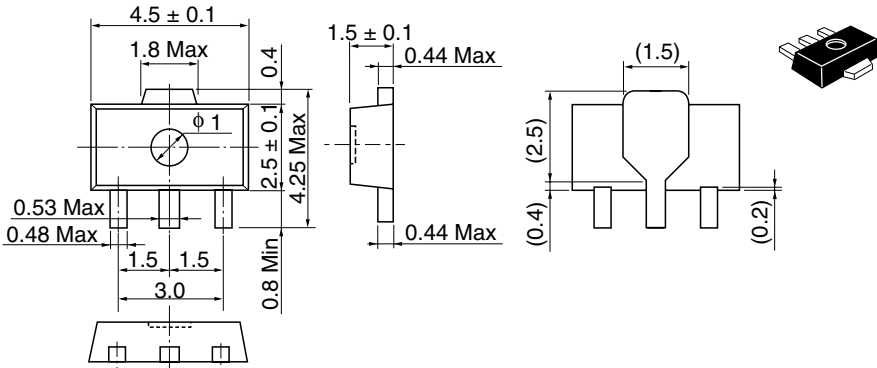
Unit: mm



Hitachi Code	MPAK-5
JEDEC	—
EIAJ	—
Mass (reference value)	0.015 g

As of January, 2001

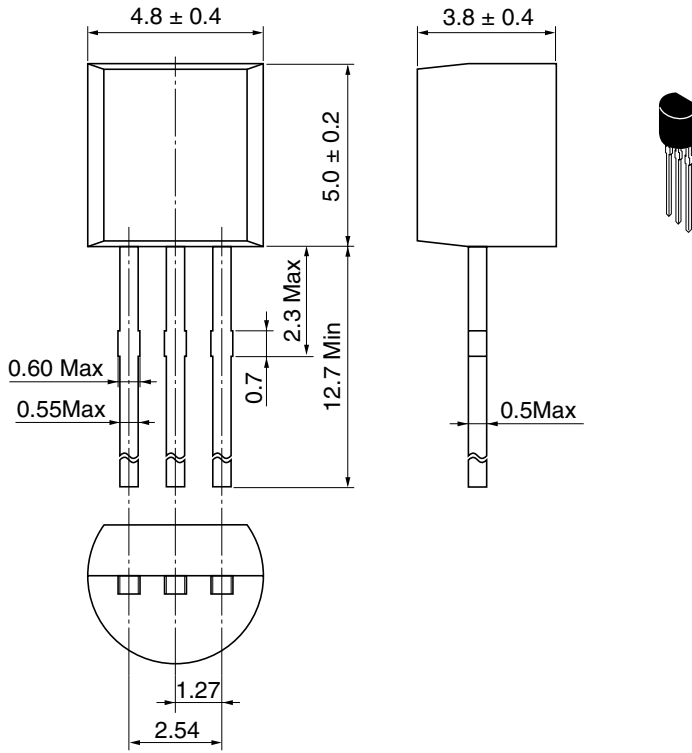
Unit: mm



Hitachi Code	UPAK
JEDEC	—
EIAJ	Conforms
Mass (reference value)	0.050 g

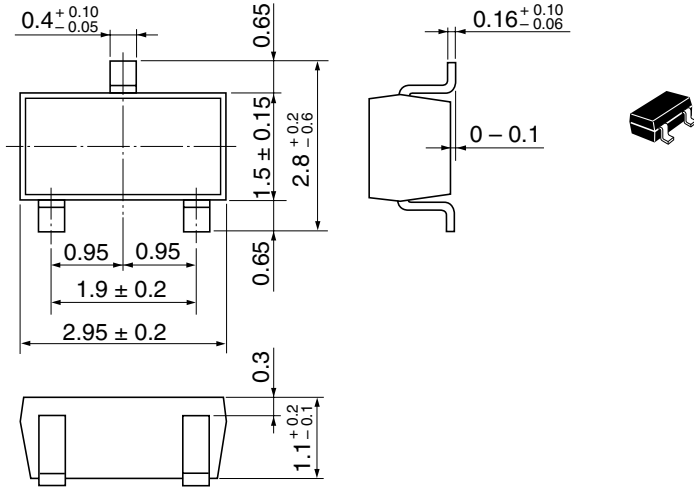
As of January, 2001

Unit: mm



Hitachi Code	TO-92 (1)
JEDEC	Conforms
EIAJ	Conforms
Mass (reference value)	0.25 g

As of January, 2001
Unit: mm



Hitachi Code	MPAK
JEDEC	—
EIAJ	Conforms
Mass (reference value)	0.011 g

Disclaimer

1. Hitachi neither warrants nor grants licenses of any rights of Hitachi's or any third party's patent, copyright, trademark, or other intellectual property rights for information contained in this document. Hitachi bears no responsibility for problems that may arise with third party's rights, including intellectual property rights, in connection with use of the information contained in this document.
2. Products and product specifications may be subject to change without notice. Confirm that you have received the latest product standards or specifications before final design, purchase or use.
3. Hitachi makes every attempt to ensure that its products are of high quality and reliability. However, contact Hitachi's sales office before using the product in an application that demands especially high quality and reliability or where its failure or malfunction may directly threaten human life or cause risk of bodily injury, such as aerospace, aeronautics, nuclear power, combustion control, transportation, traffic, safety equipment or medical equipment for life support.
4. Design your application so that the product is used within the ranges guaranteed by Hitachi particularly for maximum rating, operating supply voltage range, heat radiation characteristics, installation conditions and other characteristics. Hitachi bears no responsibility for failure or damage when used beyond the guaranteed ranges. Even within the guaranteed ranges, consider normally foreseeable failure rates or failure modes in semiconductor devices and employ systemic measures such as fail-safes, so that the equipment incorporating Hitachi product does not cause bodily injury, fire or other consequential damage due to operation of the Hitachi product.
5. This product is not designed to be radiation resistant.
6. No one is permitted to reproduce or duplicate, in any form, the whole or part of this document without written approval from Hitachi.
7. Contact Hitachi's sales office for any questions regarding this document or Hitachi semiconductor products.

Sales Offices

HITACHI

Hitachi, Ltd.

Semiconductor & Integrated Circuits
 Nippon Bldg., 2-6-2, Ohte-machi, Chiyoda-ku, Tokyo 100-0004, Japan
 Tel: (03) 3270-2111 Fax: (03) 3270-5109

URL <http://www.hitachisemiconductor.com/>

For further information write to:

Hitachi Semiconductor (America) Inc.
 179 East Tasman Drive
 San Jose, CA 95134
 Tel: <1> (408) 433-1990
 Fax: <1> (408) 433-0223

Hitachi Europe Ltd.
 Electronic Components Group
 Whitebrook Park
 Lower Cookham Road
 Maidenhead
 Berkshire SL6 8YA, United Kingdom
 Tel: <44> (1628) 585000
 Fax: <44> (1628) 585200

Hitachi Asia Ltd.
 Hitachi Tower
 16 Collyer Quay #20-00
 Singapore 049318
 Tel : <65>-538-6533/538-8577
 Fax : <65>-538-6933/538-3877
 URL : <http://semiconductor.hitachi.com.sg>

Hitachi Asia (Hong Kong) Ltd.
 Group III (Electronic Components)
 7/F., North Tower
 World Finance Centre,
 Harbour City, Canton Road
 Tsim Sha Tsui, Kowloon Hong Kong
 Tel : <852>-(2)-735-9218
 Fax : <852>-(2)-730-0281
 URL : <http://semiconductor.hitachi.com.hk>

Hitachi Europe GmbH
 Electronic Components Group
 Dornacher Straße 3
 D-85622 Feldkirchen
 Postfach 201, D-85619 Feldkirchen
 Germany
 Tel: <49> (89) 9 9180-0
 Fax: <49> (89) 9 29 30 00

Hitachi Asia Ltd.
 (Taipei Branch Office)
 4/F, No. 167, Tun Hwa North Road
 Hung-Kuo Building
 Taipei (105), Taiwan
 Tel : <886>-(2)-2718-3666
 Fax : <886>-(2)-2718-8180
 Telex : 23222 HAS-TP
 URL : <http://www.hitachi.com.tw>

Copyright © Hitachi, Ltd., 2001. All rights reserved. Printed in Japan.
 Colophon 5.0